



# 235 Series

## Model 235-6S

Compact, robust and corrosion resistant, 150 mm / 6" diameter dial housed in a tough ABS plastic case with shatterproof polycarbonate dial cover. Low friction acetal bearings provide positive movement to give maximum sensitivity. Accurate to one part in 250 with up to 15% zero adjust. Supplied with top and bottom hooks.

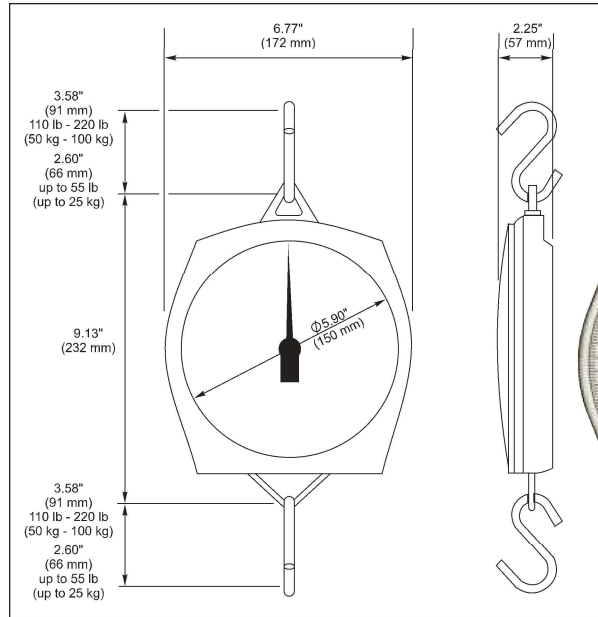
**Option:** Oblong pan (5 kg / 11 lb only)

### Single Marked

- 5 kg x 20 g
- 10 kg x 50 g
- 25 kg x 100 g
- 50 kg x 200 g
- 100 kg x 500 g

### Dual Marked

- 5 kg x 20 g / 11 lb x 1 oz
- 10 kg x 50 g / 22 lb x 2 oz
- 25 kg x 100 g / 56 lb x 4 oz
- 50 kg x 200 g / 110 lb x 8 oz
- 100 kg x 500 g / 220 lb x 1 lb



## Model 235-6M

Compact, robust, 150 mm / 6" diameter dial housed in the traditional metal case. Accurate to one part in 250 with up to 10% zero adjustment. Supplied with top and bottom hooks.

### Single Marked

- 1 kg x 5 g
- 2 kg x 10 g
- 5 kg x 20 g
- 10 kg x 50 g
- 25 kg x 100 g
- 50 kg x 200 g
- 100 kg x 500 g
- 200 kg x 1 kg

### Dual Marked

- 5 kg x 20 g / 11 lb x 1 oz
- 10 kg x 50 g / 22 lb x 2 oz
- 25 kg x 100 g / 56 lb x 4 oz
- 100 kg x 500 g / 220 lb x 1 lb

